

Shared Assets

Third-Party Data Collection Instructions

Purpose

This document contains requirements and instructions for the Data Collection template that must be supplied when applying to attach to BC Hydro Distribution overhead wood poles.

General

- Please complete all information in the “Information” tab.
- All measurements should be provided in meters unless otherwise noted.

Pole Identifiers

- **Pole#:** The Licensee will provide a unique Pole #.
 - If a pole is missed and added in subsequent revision, use an alpha-numeric string that will place in the vicinity of the adjacent poles (e.g. P001A).
 - The license may choose to use a separate character to identify distinct segments of a project (e.g. P001, B001, L001)
- **Pole Tag:** Insert the 7-digit number shown on the pole tag.

Spatial Information

- **Latitude/Longitude:** Geodetic coordinates shall be provided Decimal Degrees (e.g. 49.2108551; -122.9575951) and be referenced to North American 1983 datum (NAD83)
- **Ground Elevation (Grd. Elev):** Orthometric elevations shall be in reference to Canadian Geodetic Vertical Datum of 2013 (CGVD2013)
- **Ahead Span:** The span length in the span ahead or in the direction of increasing Pole #. For example, the Ahead Span length in row P001 shall be the distance between P001 and P002.
- At the start or end of a proposed third-party licensee wireline section, licensee shall provide one pole/span before and one pole/span after the pole contacted.

Pole Information

- **Pole Type:** Indicate if the pole is either:
 - W: Wood
 - C: Concrete
 - S: Steel
- **Pole Length:** Common pole lengths used for distribution services are 40', 45', 50' and 55'. The pole length includes the length of pole above ground plus the setting depth. If this information is missing, do not guess or estimate the lengths of pole. Provide pole height in feet.
- **Pole Class:** BC Hydro stocks wood poles which are graded according to strength into six classes. Indicate the class (i.e. 1 to 6). If this information is missing, do not guess or estimate the class of pole.

Equipment

- **Transformers (XFMRs):** If a pole has transformers, indicate if they are one of the following:
 - 1Φ: One Phase
 - 3Φ: Three Phase
- **Dips:** Indicate if cables are present in the power and communication quadrant.
 - BCH: Power cables and covers are present in the power quadrant
 - Tel: Communication cables and covers are present in the power quadrant
 - B+T: Power and communication cables and covers are present in both quadrants
- **Street Light:** If a street light exists, indicate if it is located above or below the secondary rack.

Shared Assets

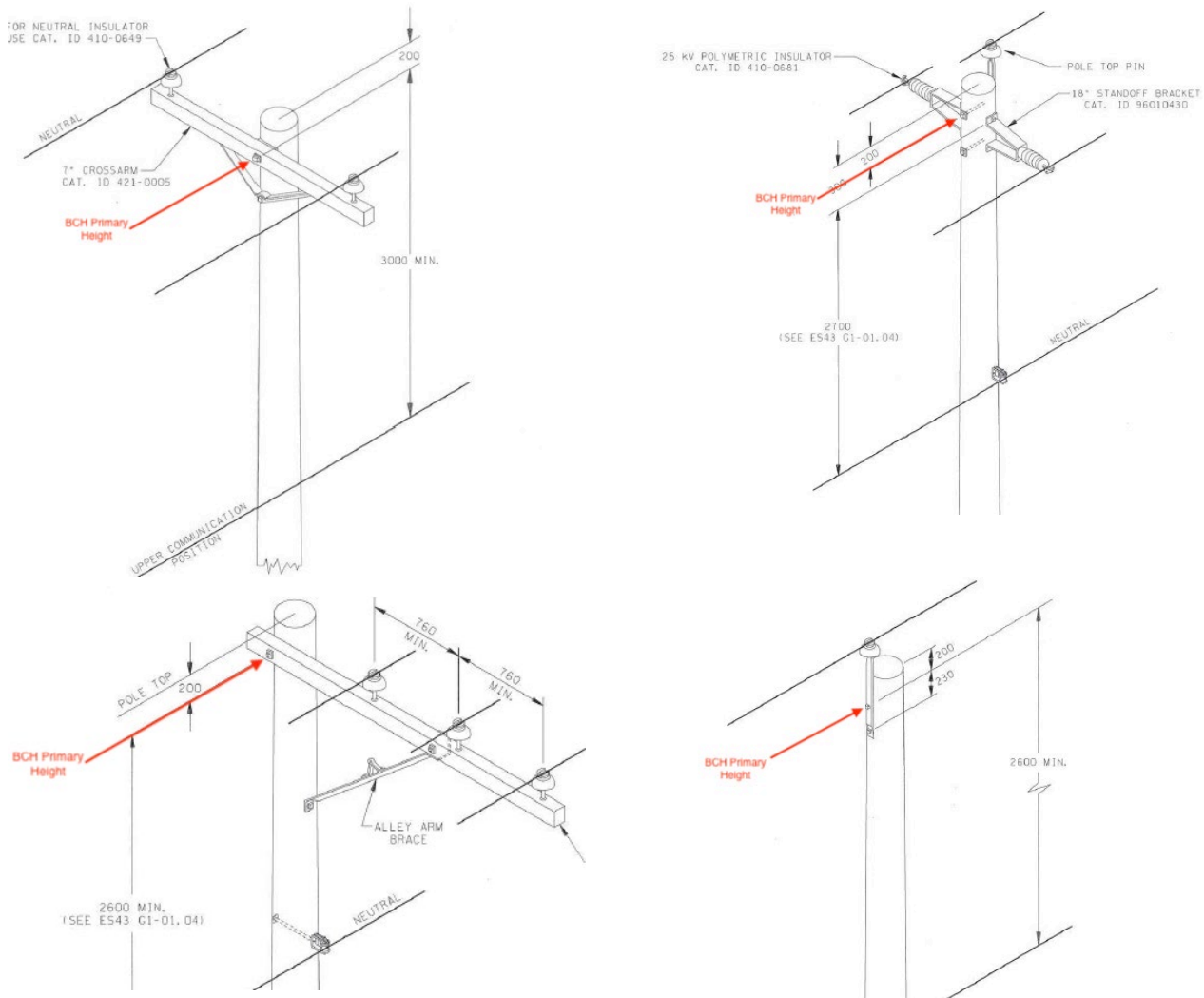
Third-Party Data Collection Instructions

BCH and Tel Attachment Heights

The Licensee shall provide heights of attachments above ground in meters. Accuracy of pole and in-span and heights should be sufficient to allow BC Hydro to determine the mandatory minimum clearances, separations, and spacing that must be maintained between electrical power conductors, communication lines, ground and crossings including highways, navigable waters, rail and pipelines.

- **BCH Primary:** Attachment Heights shall be reduced to the cross-arm bolt. If more than one cross-arm exists, provide the highest cross-arm bolt and indicate the pole framing in the comments. Samples have been provided in the figures below.

Figure 1: Reference for BCH Primary Height

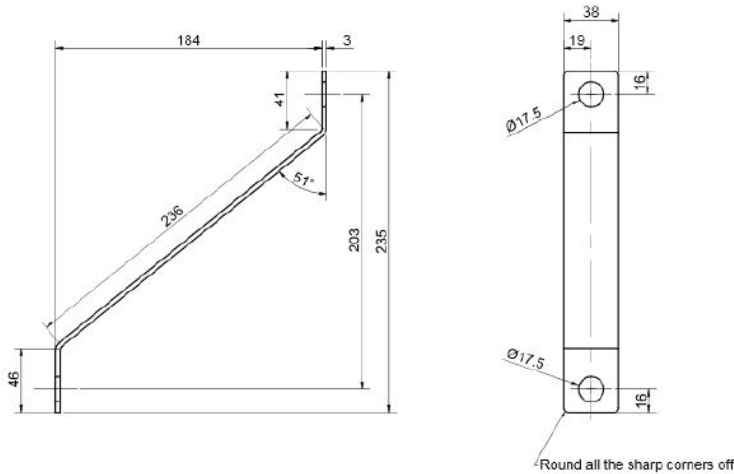


- **BCH Neutral:** Provide the height of the BC Hydro Neutral. If more than one neutral exists, provide the height of the lowest neutral and indicate the presence of more than one neutral in the comments.
- **BCH Secondary:** If secondary exists, provide the height of the lowest secondary cable.
- **TELUS Upper and Lower Strand:** Provide the TELUS strand attachment height.
- **TELUS Mount Bracket:** Provide the mount type for the upper strand.
 - Inline:
 - 8": (Sample provided in Figure 2).
 - 12"
 - Arm

Shared Assets

Third-Party Data Collection Instructions

Figure 2: TELUS 8" Strap



Tel In Span

- **Ground Clearance (TELUS Grd. Clear.):** Provide the height above ground of the lowest TELUS cable at the lowest sag in the ahead span or in the direction of increasing Pole #. For example, the ground clearance in row P001 shall be the span between P001 and P002.
- **Ground Elevation (TELUS Grd. Elev):** Orthometric elevations shall be in reference to Canadian Geodetic Vertical Datum of 2013 (CGVD2013)

Anchoring

- **Existing Anchors (Exst. Anchor):** Refer to ES43 C1-01.05 (e) Anchoring and Guying for possible anchoring and guying scenarios.
 - BCH: BC Hydro anchor only
 - Tel: Communication anchor only
 - Jnt: Jointly shared anchor between BCH and Tel
- **Leads Length:** Provide lead lengths for all anchors on pole.
- **Proposed Anchors (Prop. Anchor):** Refer to ES43 C1-01.05 (e) Anchoring and Guying for possible anchoring and guying scenarios and if the Licensee is proposing anchoring.
 - BCH: BC Hydro anchor only
 - Tel: Communication anchor only
 - Jnt: Jointly shared anchor between BCH and Tel

Additional Information

- **Equipment ID (Equip. ID):** If equipment is being proposed within the third-party space, provide the licensee ID for equipment.
- **Property Type (Prop.):** Indicate if pole is on public or private property.
 - Pu: Public
 - Pr: Private
- **Comments:** Use this field to provide additional information required. Also indicate if there are any crossings such as highways, roads, navigable waters, rail or pipelines in the previous span. Flag any perceived safety issues.